

Oildyne

550 Series Hydraulic Power Units

*Pressures to 207 bar (3000 psi)
Flows to 11.4 lpm (3 gpm)*



550 Series Hydraulic Power Units

We are pleased to introduce our new 550 Series AC hydraulic power units. The 550 Series combines the features and benefits our customers and markets have requested in a durable and economical package.

The integral motor, pump and reservoir are complemented with a full line of Parker D03 and cartridge valve options. Add a linear or rotary actuator and you have a complete hydraulic system solution for your application.

These high quality power units are ideal for industrial machine tool clamping circuits, dock levelers, food processing, hose crimping, scissor lift, presses, and a myriad of AC applications. Let them go to work for you.

Your local Parker sales representative will be pleased to provide further information.

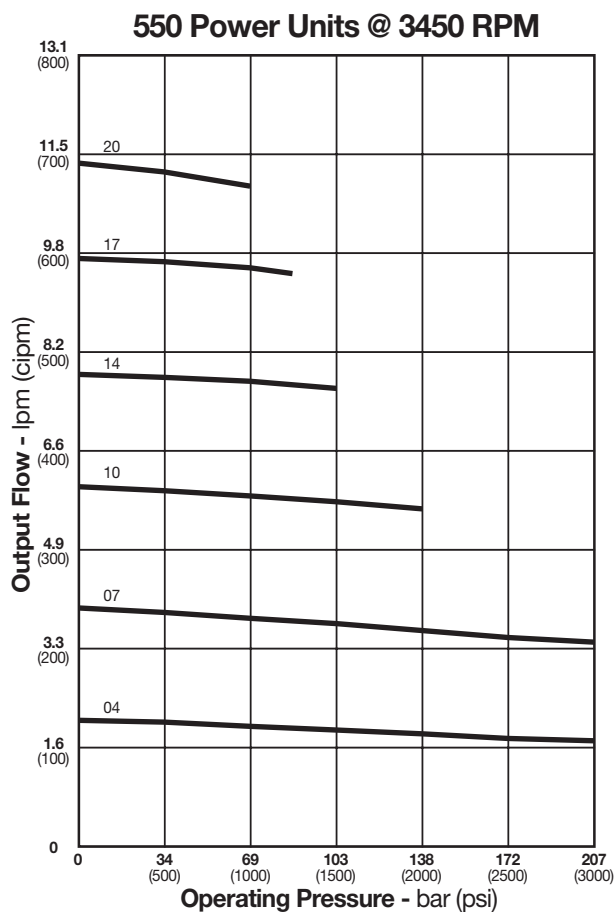
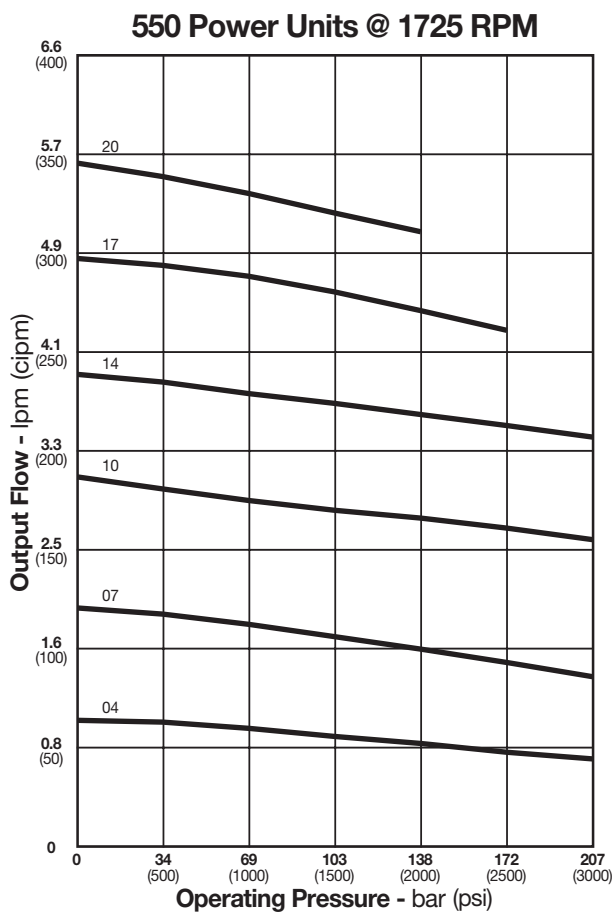
Typical Applications

- Machine tool clamping
- Dock levelers
- Man lifts
- Scissors lifts
- Wheelchair lifts
- Trash compactors
- Hose crimpers
- Boat lifts
- Presses
- Commercial ovens

Features

- Numerous motors up to 3 hp
- 6 pump sizes – flows from 1 to 11.4 lpm (1/4 to 3 gpm)
- Externally adjustable relief valve
- Variety of reservoirs
- 207 bar (3000 psi) capability
- D03 pad or standard P and T ports





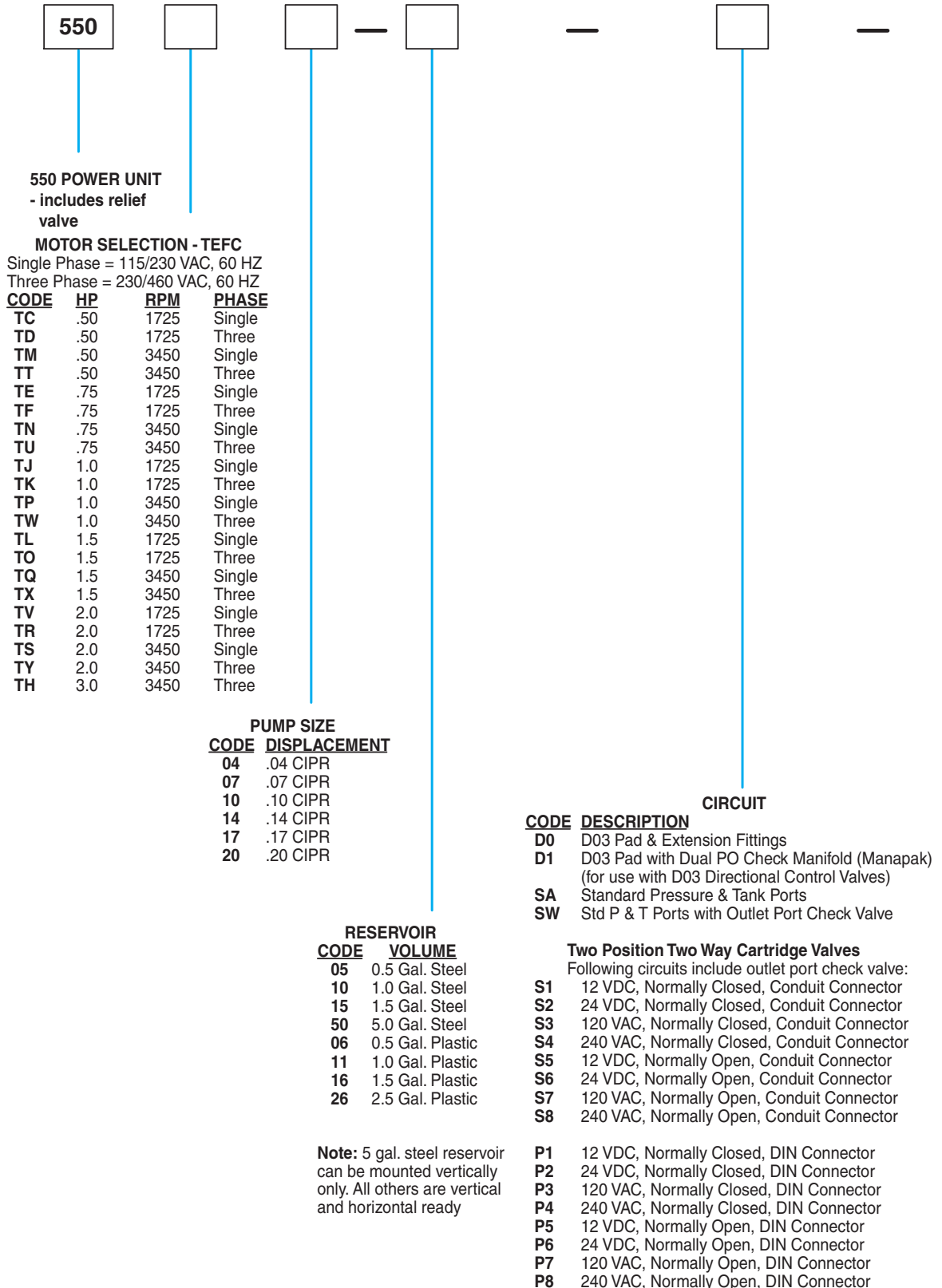
Performance data based on ATF @ 21°C (70°F)

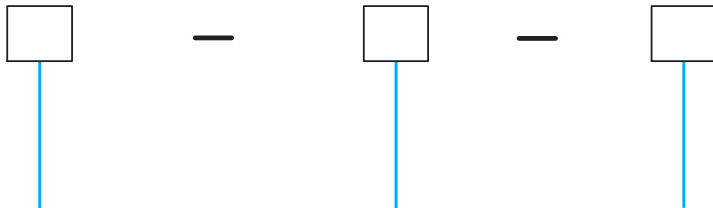
Motor Horsepower Recommendations at Flow/Pressure

Pump Size	Nominal GPM		Pressure (PSI)					
	@1725	@3450	500	1000	1500	2000	2500	3000
04	1/4		.50 HP	.50 HP	.50 HP	.50 HP	.50 HP	.50 HP
04		1/2	.50 HP	.50 HP	.50 HP	.75 HP	1.0 HP	1.0 HP
07	1/2		.50 HP	.50 HP	.50 HP	.75 HP	1.0 HP	1.0 HP
07		1	.50 HP	.75 HP	1.0 HP	1.5 HP	2.0 HP	2.0 HP
10	3/4		.50 HP	.50 HP	.75 HP	1.0 HP	1.5 HP	1.5 HP
10		1 1/2	.50 HP	1.0 HP	1.5 HP	2.0 HP	3.0 HP	3.0 HP
14	1		.50 HP	.75 HP	1.0 HP	1.5 HP	2.0 HP	2.0 HP
14		2	.75 HP	1.5 HP	2.0 HP	3.0 HP		
17	1 1/4		.50 HP	1.0 HP	1.5 HP	2.0 HP	2.0 HP	
17		2 1/2	1.0 HP	2.0 HP	3.0 HP			
20	1 1/2		.50 HP	1.0 HP	1.5 HP	2.0 HP		
20		3	1.0 HP	2.0 HP	3.0 HP			

Note: Performance data is for reference only

Standard Product Ordering Code





RV SETTING
In multiples of 100 psi
Examples
04 = 400 psi
12 = 1200 psi
29 = 2900 psi

FLOW CONTROL
(for use with Cartridge Valves)
CODE DESCRIPTION
NN None (use with D0 and D1 circuits)
HP None (use with all other circuits)
F1 Press. Comp., .5 to 1.0 GPM
F2 Press. Comp., 1.0 to 2.0 GPM

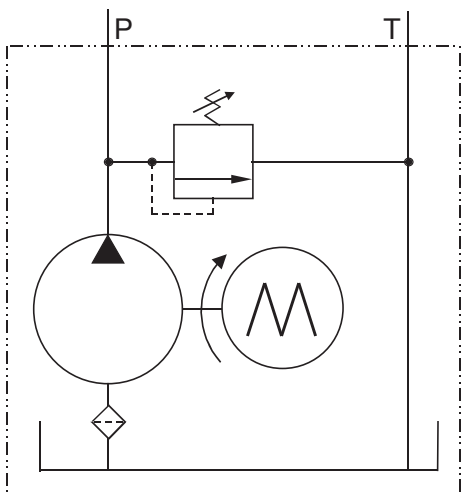
4-WAY VALVE (ALL D03 SIZE)

CODE DESCRIPTION (For use only with Circuit Codes D0 and D1)

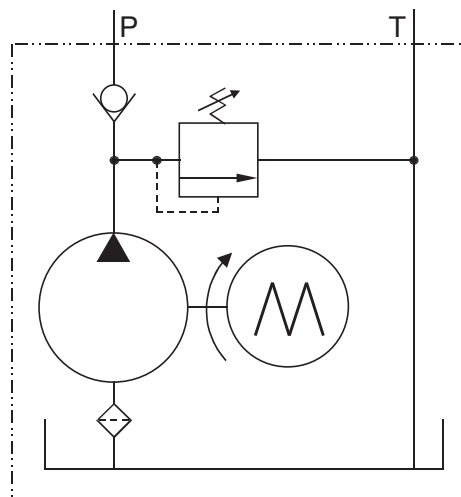
NNN	No 4-Way Valve Included
01Y	Closed Center, 120 VAC, Conduit Connectors
01T	Closed Center, 240 VAC, Conduit Connectors
01K	Closed Center, 12 VDC, Conduit Connectors
01J	Closed Center, 24 VDC, Conduit Connectors
02Y	Open Center, 120 VAC, Conduit Connectors
02T	Open Center, 240 VAC, Conduit Connectors
02K	Open Center, 12 VDC, Conduit Connectors
02J	Open Center, 24 VDC, Conduit Connectors
07Y	Float Center, 120 VAC, Conduit Connectors
07T	Float Center, 240 VAC, Conduit Connectors
07K	Float Center, 12 VDC, Conduit Connectors
07J	Float Center, 24 VDC, Conduit Connectors
08Y	Tandem Center, 120 VAC, Conduit Connectors
08T	Tandem Center, 240 VAC, Conduit Connectors
08K	Tandem Center, 12 VDC, Conduit Connectors
08J	Tandem Center, 24 VDC, Conduit Connectors
30Y	Single Solenoid, 120 VAC, Conduit Connector
30T	Single Solenoid, 240 VAC, Conduit Connector
30K	Single Solenoid, 12 VDC, Conduit Connector
30J	Single Solenoid, 24 VDC, Conduit Connector
Y01	Closed Center, 120 VAC, Hirschmann w/out Plugs
T01	Closed Center, 240 VAC, Hirschmann w/out Plugs
K01	Closed Center, 12 VDC, Hirschmann w/out Plugs
J01	Closed Center, 24 VDC, Hirschmann w/out Plugs
Y02	Open Center, 120 VAC, Hirschmann w/out Plugs
T02	Open Center, 240 VAC, Hirschmann w/out Plugs
K02	Open Center, 12 VDC, Hirschmann w/out Plugs
J02	Open Center, 24 VDC, Hirschmann w/out Plugs
Y07	Float Center, 120 VAC, Hirschmann w/out Plugs
T07	Float Center, 240 VAC, Hirschmann w/out Plugs
K07	Float Center, 12 VDC, Hirschmann w/out Plugs
J07	Float Center, 24 VDC, Hirschmann w/out Plugs
Y08	Tandem Center, 120 VAC, Hirschmann w/out Plugs
T08	Tandem Center, 240 VAC, Hirschmann w/out Plugs
K08	Tandem Center, 12 VDC, Hirschmann w/out Plugs
J08	Tandem Center, 24 VDC, Hirschmann w/out Plugs
Y30	Single Solenoid, 120 VAC, Hirschmann w/out Plug
T30	Single Solenoid, 240 VAC, Hirschmann w/out Plug
K30	Single Solenoid, 12 VDC, Hirschmann w/out Plug
J30	Single Solenoid, 24 VDC, Hirschmann w/out Plug

Hydraulic Fluid
Any clean hydraulic oil with a viscosity of 150 to 300 SUS at 38°C (100°F) is acceptable. If another type of fluid is needed, please consult the factory.

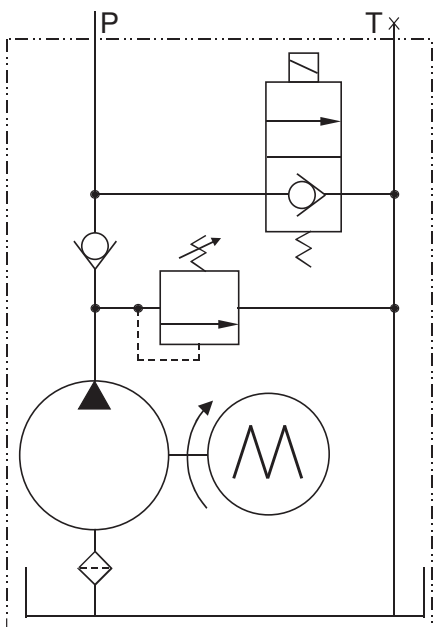
Temperature Range
Normal operating range is -7°C to 60°C (+20°F to +140°F). Please consult the factory for applications outside this range.



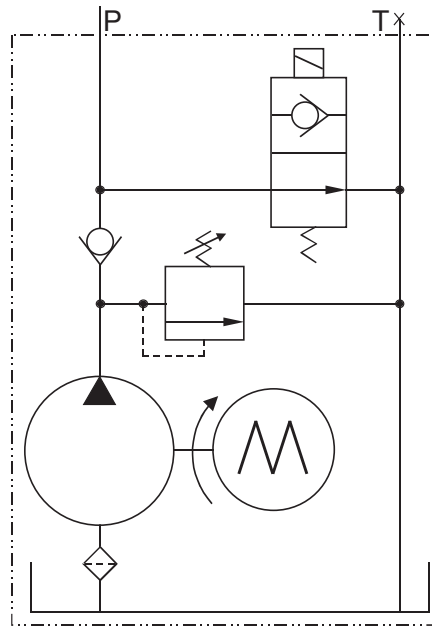
“SA” CIRCUIT



“SW” CIRCUIT

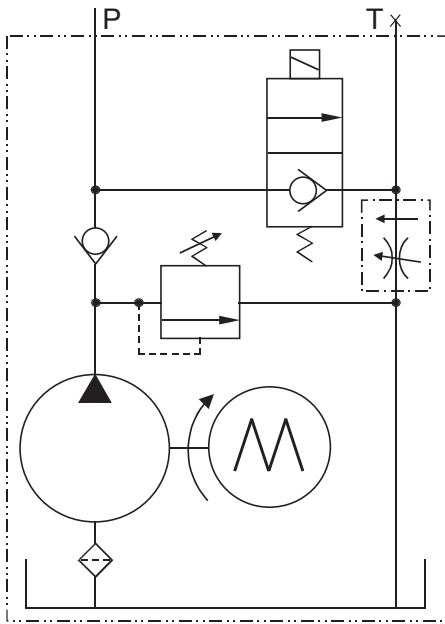


“S1-S4, P1-P4” CIRCUITS

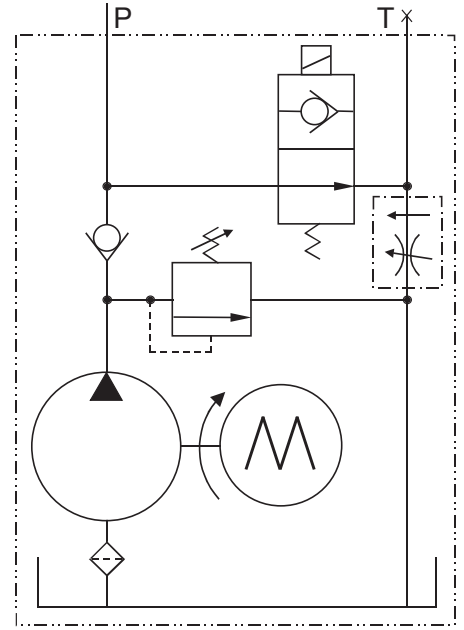


“S5-S8, P5-P8” CIRCUITS

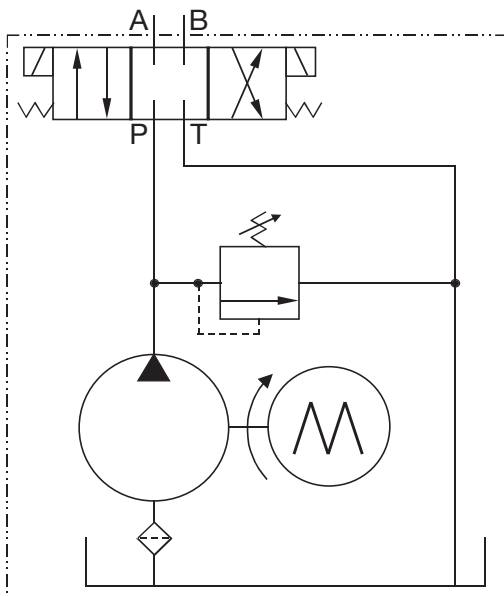
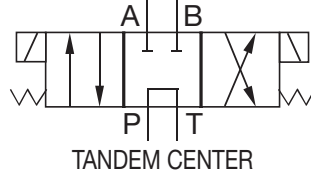
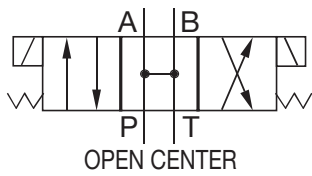
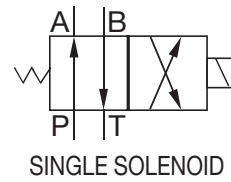
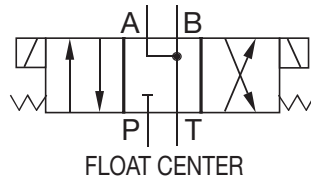
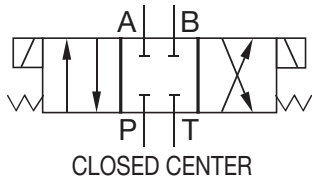
Circuits



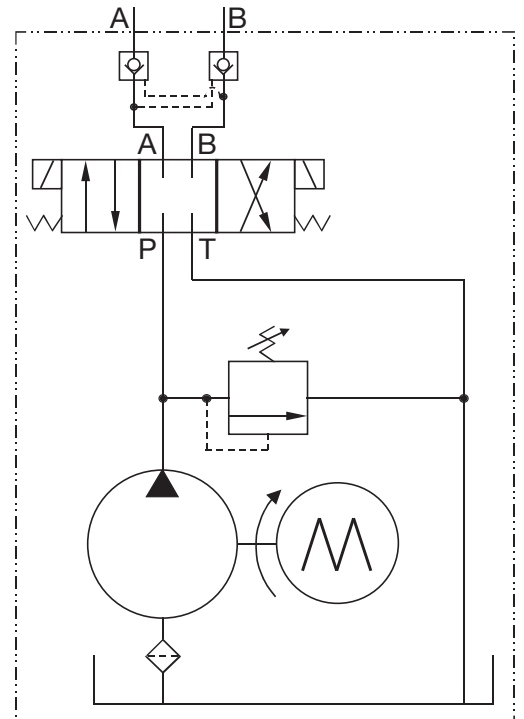
“S1-S4, P1-P4” CIRCUITS WITH PRESSURE COMPENSATED FLOW CONTROL F1 OR F2



“S5-S8, P5-P8” CIRCUITS WITH PRESSURE COMPENSATED FLOW CONTROL F1 OR F2

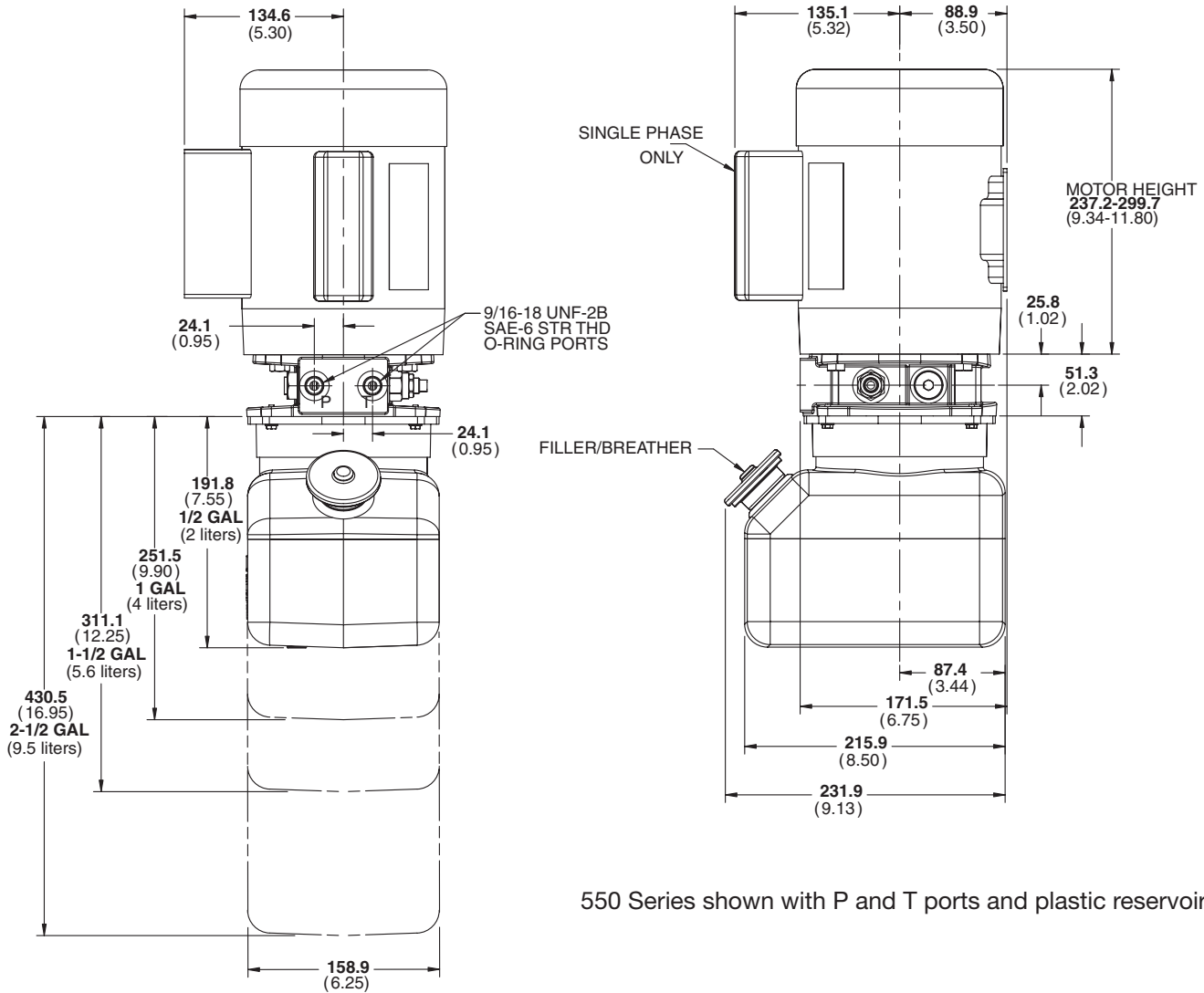


“D0” CIRCUIT (D03 VALVE TO BE SELECTED)



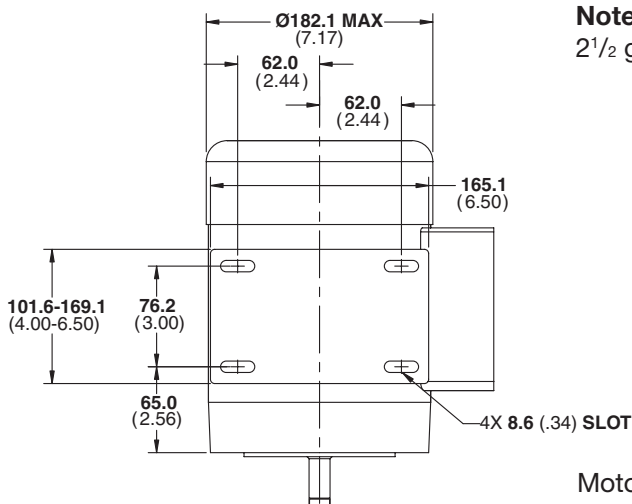
“D1” CIRCUIT INCLUDES MANAPAK DUAL P0 CHECK VALVE (D03 VALVE TO BE SELECTED)

Dimensions

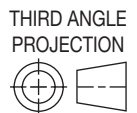


550 Series shown with P and T ports and plastic reservoir

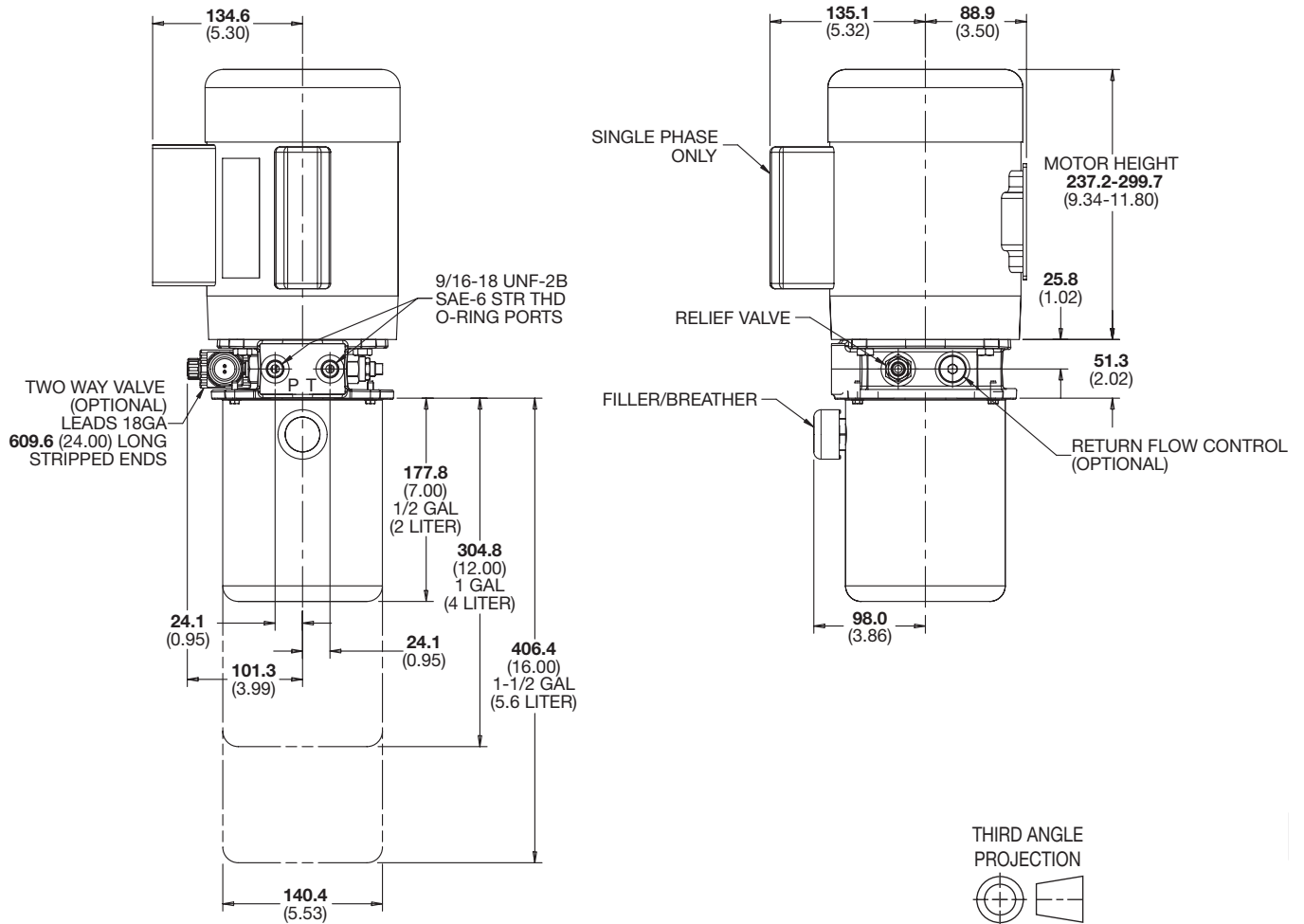
Note: When mounted in the horizontal configuration the 2 1/2 gallon plastic reservoir must be supported



Motor foot dimensions are common to all 550 Series electric motors

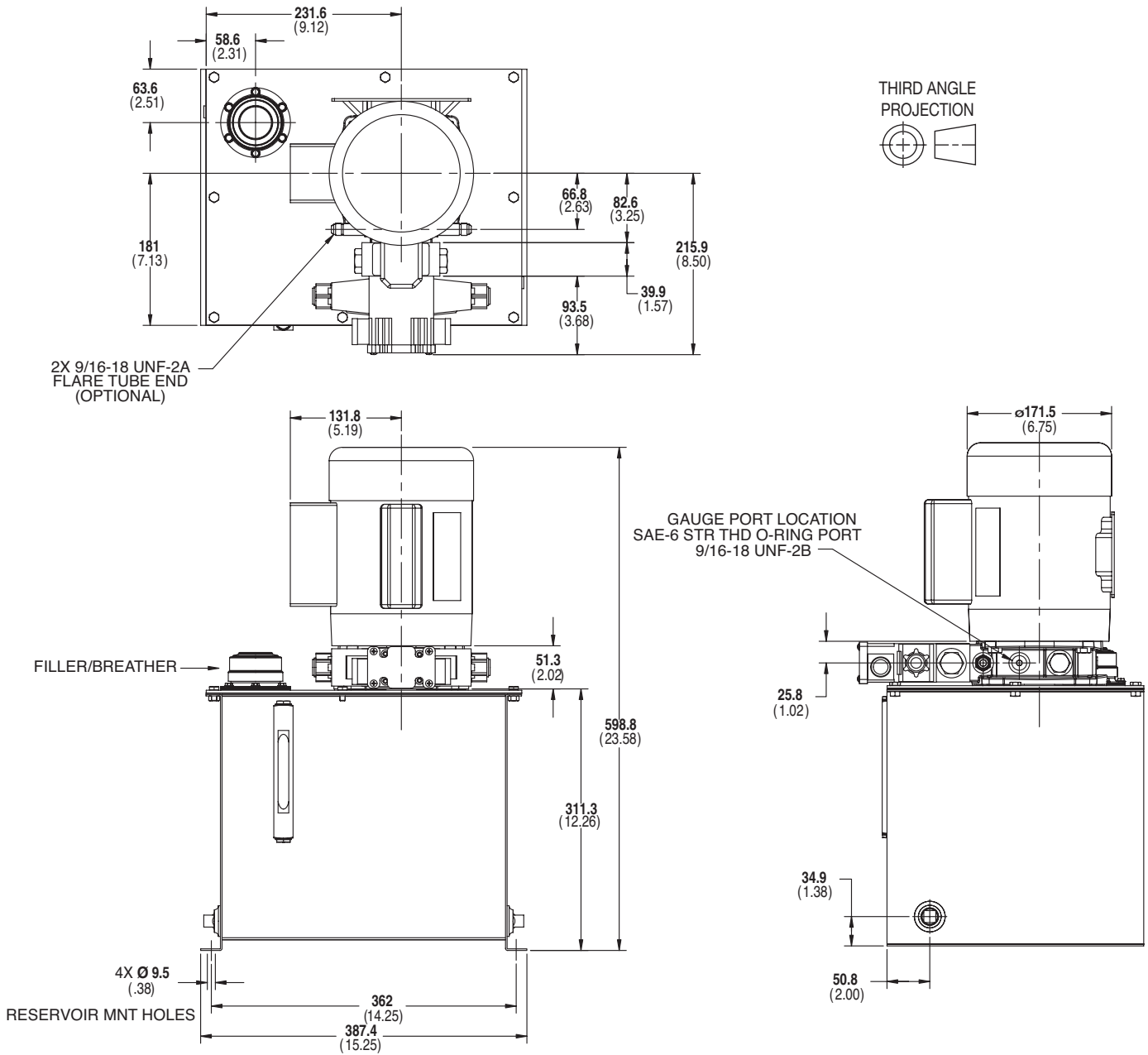


Note: All dimensions in mm (inches).



550 Series shown with optional solenoid 2-way valve and steel reservoirs

Note: All dimensions in mm (inches).



550 Series shown with D03 valve, Manapak block and 5 gallon reservoir

Note: All dimensions in mm (inches).